



Sandwich Grill with Timer
Model PG-CN-0711-RT
Item 42914
Instruction Manual



STOP
DO NOT RETURN
THIS PRODUCT TO THE STORE

For questions or assistance with this product call OMCAN Toll Free:
1 800 465 0234
Customer Service
or
visit the Support section of
www.omcan.com

Revised - 03/11/2024



Toll Free: 1-800-465-0234
Fax: 905-607-0234
Email: service@omcan.com
www.omcan.com



Table of Contents

Model PG-CN-0711-RT

Section	Page
General Information -----	3 - 4
Safety and Warranty -----	4 - 5
Technical Specifications -----	6
Installation -----	6
Operation -----	6 - 7
Maintenance -----	7 - 8
Parts Breakdown -----	9 - 10
Electrical Schematics -----	11
Notes -----	12 - 14
Warranty Registration -----	15



General Information

Omcan Manufacturing and Distributing Company Inc., Food Machinery of America, Inc. dba Omcan and Omcan Inc. are not responsible for any harm or injury caused due to any person's improper or negligent use of this equipment. The product shall only be operated by someone over the age of 18, of sound mind, and not under the influence of any drugs or alcohol, who has been trained in the correct operation of this machine, and is wearing authorized, proper safety clothing. Any modification to the machine voids any warranty, and may cause harm to individuals using the machine or in the vicinity of the machine while in operation.

CHECK PACKAGE UPON ARRIVAL

Upon receipt of an Omcan shipment please inspect for external damage. If no damage is evident on the external packaging, open carton to ensure all ordered items are within the box, and there is no concealed damage to the machine. If the package has suffered rough handling, bumps or damage (visible or concealed), please note it on the bill of lading before accepting the delivery and contact Omcan within 24 hours, so we may initiate a claim with the carrier. A detailed report on the extent of the damage caused to the machine must be filled out within three days, from the delivery date shown in the shipping documents. Omcan has no recourse for damaged products that were shipped collect or third party.

Before operating any equipment, always read and familiarize yourself with all operation and safety instructions.

Omcan would like to thank you for purchasing this machine. It's of the utmost importance to save these instructions for future reference. Also save the original box and packaging for shipping the equipment if servicing or returning of the machine is required.

Omcan Fabrication et distribution Compagnie Limitée et Food Machinery d'Amérique, dba Omcan et Omcan Inc. ne sont pas responsables de tout dommage ou blessure causé du fait que toute personne ait utilisé cet équipement de façon irrégulière. Le produit ne doit être exploité que par quelqu'un de plus de 18 ans, sain d'esprit, et pas sous l'influence d'une drogue ou d'alcool, qui a été formé pour utiliser cette machine correctement, et est vêtu de vêtements de sécurité appropriés. Toute modification de la machine annule toute garantie, et peut causer un préjudice à des personnes utilisant la machine ou des personnes à proximité de la machine pendant son fonctionnement.

VÉRIFIEZ LE COLIS DÈS RÉCEPTION

Dès réception d'une expédition d'Omcan veuillez inspecter pour dommages externes. Si aucun dommage n'est visible sur l'emballage externe, ouvrez le carton afin de s'assurer que tous les éléments commandés sont dans la boîte, et il n'y a aucun dommage dissimulé à la machine. Si le colis n'a subi aucune mauvaises manipulations, de bosses ou de dommages (visible ou cachée), notez-le sur le bond de livraison avant d'accepter la livraison et contactez Omcan dans les 24 heures qui suivent, pour que nous puissions engager une réclamation auprès du transporteur. Un rapport détaillé sur l'étendue des dommages causés à la machine doit être rempli dans un délai de trois jours, à compter de la date de livraison indiquée dans les documents d'expédition. Omcan n'a aucun droit de recours pour les produits endommagés qui ont été expédiés ou cueilli par un tiers transporteur.

General Information

Avant d'utiliser n'importe quel équipement, toujours lire et vous familiariser avec toutes les opérations et les consignes de sécurité.

Omcan voudrais vous remercier d'avoir choisi cette machine. Il est primordial de conserver ces instructions pour une référence ultérieure. Également conservez la boîte originale et l'emballage pour l'expédition de l'équipement si l'entretien ou le retour de la machine est nécessaire.

Omcan Empresa De Fabricacion Y Distribucion Inc. Y Maquinaria De Alimentos De America, Inc. dba Omcan y Omcan Inc. no son responsables de ningun daño o perjuicio causado por cualquier persona inadecuada o el uso descuidado de este equipo. El producto solo podra ser operado por una persona mayor de 18 años, en su sano juicio y no bajo alguna influencia de droga o alcohol, y que este ha sido entrenado en el correcto funcionamiento de esta máquina, y ésta usando ropa apropiada y autorizada. Cualquier modificación a la máquina anula la garantía y puede causar daños a las personas usando la máquina mientras esta en el funcionamiento.

REVISE EL PAQUETE A SU LLEGADA

Tras la recepcion de un envio Omcan favor inspeccionar daños externos. Si no hay daños evidentes en el empaque exterior, Habra el carton para asegurarse que todos los articulos solicitados estén dentro de la caja y no encuentre daños ocultos en la máquina. Si el paquete ha sufrido un manejo de poco cuidado, golpes o daños (visible o oculto) por favor anote en la factura antes de aceptar la entrega y contacte Omcan dentro de las 24 horas, de modo que podamos iniciar una reclamación con la compañía. Un informe detallado sobre los daños causados a la máquina debe ser llenado en el plazo de tres días, desde la fecha de entrega que se muestra en los documentos de envío. Omcan no tiene ningun recurso por productos dañados que se enviaron a recoger por terceros.

Antes de utilizar cualquier equipo, siempre lea y familiarizarse con todas las instrucciones de funcionamiento y seguridad.

Omcan le gustaría darle las gracias por la compra de esta máquina. Es de la mayor importancia para salvar estas instrucciones para futuras consultas. Además, guarda la caja original y el embalaje para el envío del equipo si servicio técnico o devolución de la máquina que se requiere.

Safety and Warranty

WARNING

PLEASE READ THE USER MANUAL CAREFULLY BEFORE OPERATING THE MACHINE

This manual has been prepared to enable the correct installation, regulation and maintenance of the unit. It is therefore of basic importance that the warnings contained in this booklet are carefully read as they supply essential indications regarding the safety of the installation, use and maintenance. The appliance must be

Safety and Warranty

installed, tested and serviced by qualified personnel only. Any adjustment whatsoever not expressly authorized and in disrespect of this manual voids the warranty. Observe all existing local regulations at the time of installation. The packing materials (plastic bags, polystyrene, nails, etc.) as potential hazards, must be kept out of the reach of children and properly recycled according to the existing local regulations. For repairs contact Omcan and request the use of original spare parts. If in doubt do not use the appliance and contact Omcan. Not following the above conditions could risk the safety of those using the unit.

Caution:

- Please take notice that the unit will still be too hot to handle immediately after use.
- The contact grill has a thermal cut-off safety device to avoid over heating.
- If the power cord is damaged, it must be replaced by qualified technician.

RESIDENTIAL USERS: vendor assumes no liability for parts or labor coverage for component failure or other damages resulting from installation in non-commercial or residential applications. The right is reserved to deny shipment for residential usage; if this occurs, you will be notified as soon as possible.

1 YEAR PARTS AND LABOUR BENCH WARRANTY

Within the warranty period, contact Omcan Inc. at 1-800-465-0234 to schedule a drop off to either an Omcan authorized service depot in the area, or to an Omcan Service warehouse to repair the equipment.

Unauthorized maintenance will void the warranty. Warranty covers electrical and part failures, not improper use.

Please see <https://omcan.com/disclaimer> for complete info.

WARNING:

The packaging components are classified as normal solid urban waste and can therefore be disposed of without difficulty.

In any case, for suitable recycling, we suggest disposing of the products separately (differentiated waste) according to the current norms.

DO NOT DISCARD ANY PACKAGING MATERIALS IN THE ENVIRONMENT!

Technical Specifications

Model	PG-CN-0711-RT
Grill Dimensions	10" x 18" / 254 x 457mm
Thermostat Control	60 - 300°C / 140 - 572°F
Power	3200 W
Electrical	220V / 60Hz / 1
Top Grill	Ribbed
Bottom Grill	Ribbed
Packaging Weight	73 lbs. / 33.1 kgs.
Closed Dimensions	22" x 15.4" x 9.4" / 557 x 390 x 238mm
Opened Dimensions	22" x 15.4" x 22.3" / 557 x 390 x 572mm
Packaging Dimensions	20" x 23" x 14" / 508 x 584 x 356mm
Item Number	42914

Installation

The griddle should be placed on a solid leveled surface. If the unit is placed in close proximity to a wall, partitions, kitchen furniture, decorative finish, etc. it is recommended that they be made of non-combustible material. If not, they should be clad with a suitable non-combustible heat-insulating material and fire prevention regulations should be enforced.

Make sure to perform a thorough cleaning of the grill before first operation to ensure that no residual chemicals are present when cooking.

Operation

Always preheat the grill before use until the ready light illuminates. Lift the top grill plate, arrange food on the bottom plate and bring top plate back down to make contact with food and begin cooking. If additional sandwiches are desired, lower the lid to preserve the heat while you prepare the additional sandwiches. When not cooking, the thermostat is turned off, switch off the on/off switch, unplug the unit.

If the Omcan grill does not work, please check the following:

1. The power supply is correct and switched on.
2. The positions of switch and thermostat are correct.

RE-PROGRAMMABLE TIMER INSTRUCTIONS

Note: be sure the unit is unplugged and cool prior to installing or removing the re-programmable timer.

Operation

1. Installing the batteries

- Place your fingers on the two tabs on the sides of the timer and firmly depress and pulling towards you, the timer is released from the unit, then open battery box cover, install batteries in, then slide battery cover back into the position.
- Check timer to ensure power is supplied by pressing “-”.
- Insert timer into the port until side tabs lock into place.

2. Programming the timer

Note: the timer will not automatically shut off your unit. Once your programmed time has lapsed, the unit will beep 5 times and the screen will go blank.

Program manually

To manually program the timer, hold both “-” and “+” at the same time for four seconds. The timer will beep twice. After the second beep, use the “-” and “+” to scroll to your desired time setting up to 19:59.

For fast scroll, hold the button down until you have reached your desired time setting. The timer will automatically program the setting after five seconds. Now that you have programmed your time, you may press the “-” button any time to start the timer. Once programmed, the timer will always default to the time setting until otherwise changed.

Program using count-up mode

Your re-programmable timer allows you to program your time using count-up mode. This is convenient for when you need to first measure the time required to grill your sandwich before programming. Once you have started grilling, press the “+” button to start the timer. When you have finished grilling, press both “-” and “+” to set the time. Once programmed, the timer will always default to this time setting until otherwise changed.

Note: when batteries are removed, the timer automatically defaults to the factory setting of 10 seconds.

Maintenance

Once the griddle is placed in a position by consulting international standards and regulations. Cleaning the cast iron plate is thoroughly advised.

Warm up the cast iron plate for 10 minutes until all smoke and/or odor has dissipated.

Switch off and unplug the unit, then clean thoroughly. Be sure to always clean the grill plates after each use to remove any residue that may have accumulated.

CAST IRON NOTES

- Clean cast iron cook plates with brush, scraper or dry rag.
- Do not use water or chemicals to clean cook plates.
- Anti-rust paint on cook plate will come off after first use.

Maintenance

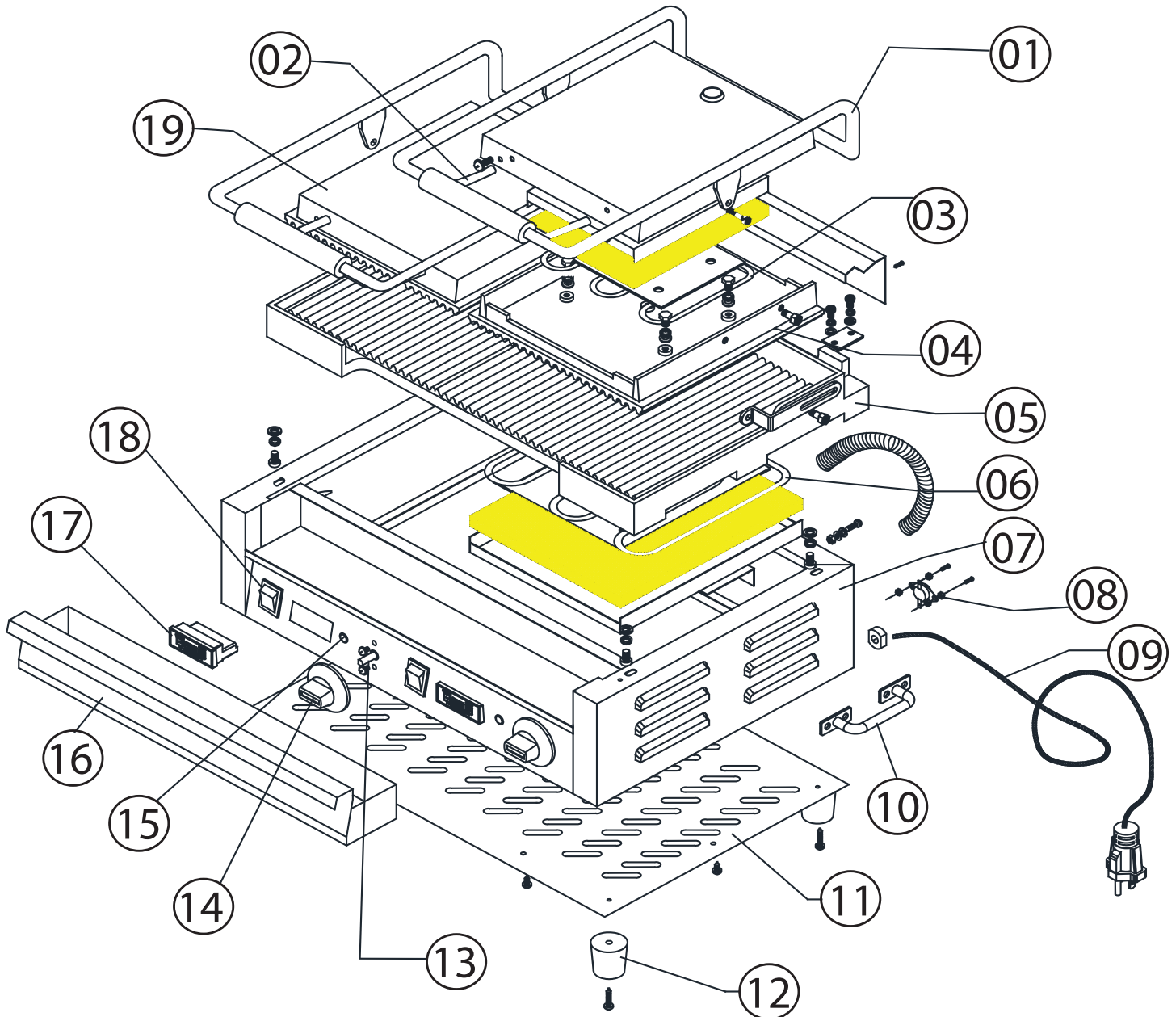
Do not use cold water on hot plate.

After cleaning, be sure the oil tray must be dry thoroughly before putting it back to the unit. Do not immerse completely in water or any liquid to clean and the appliance should not be cleaned with a water jet.

NEVER USE COLD WATER ON THE HOT PLATE.

Parts Breakdown

Model PG-CN-0711-RT 42914



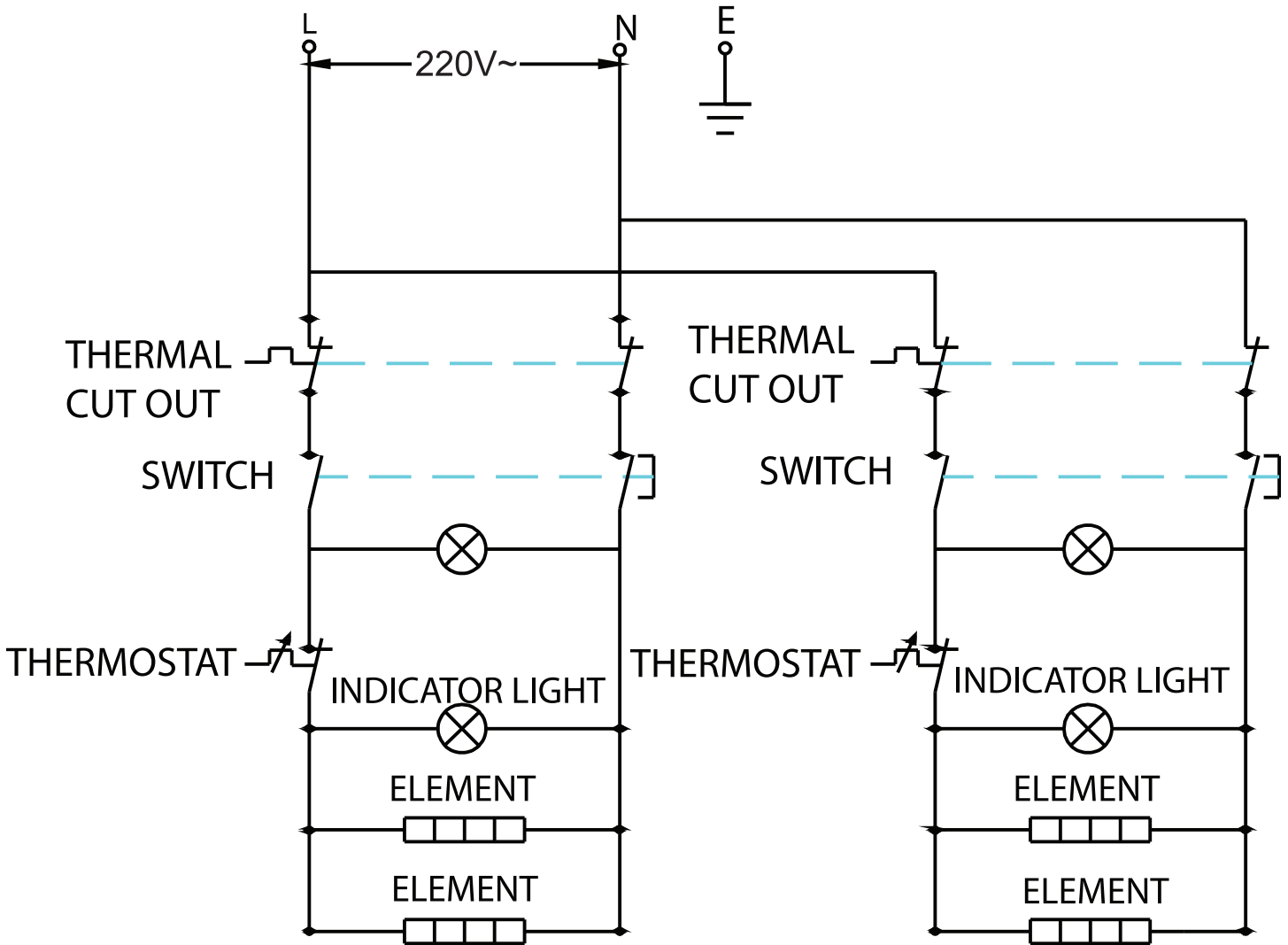
Parts Breakdown

Model PG-CN-0711-RT 42914

Item No.	Description	Position	Item No.	Description	Position	Item No.	Description	Position
20337	Big Handle for 42914	1	20344	Thermo Cut Out for 42914	8	20349	Indicator Light for 42914	15
20338	Small Handle for 42914	2	20345	Plug and Lead for 42914	9	20350	Oil Tray for 42914	16
20339	Top Element for 42914	3	73069	Handle for 42914	10	73070	Timer for 42914	17
73064	Top Cast Iron for 42914	4	73066	Bottom for 42914	11	20351	On / Off Switch for 42914	18
73065	Bottom Cast Iron for 42914	5	20317	Foot for 42914	12	26023	Double Panini Top Cover for 42914	19
20342	Bottom Element for 42914	6	20347	Thermostat for 42914	13			
20343	Body for 42914	7	20315	Old Style Dial for 42914	14			

Electrical Schematics

Model PG-CN-0711-RT 42914



NEMA
6 - 20P
250VAC / 20 AMP



Warranty Registration

Thank you for purchasing an Omcan product. To register your warranty for this product, complete the information below, tear off the card at the perforation and then send to the address specified below. You can also register online by visiting:

Merci d'avoir acheté un produit Omcan. Pour enregistrer votre garantie pour ce produit, complétez les informations ci-dessous, détachez la carte au niveau de la perforation, puis l'envoyer à l'adresse spécifiée ci-dessous. Vous pouvez également vous inscrire en ligne en visitant:

Gracias por comprar un producto Omcan usted. Para registrar su garantía para este producto, complete la información a continuación, cortar la tarjeta en la perforación y luego enviarlo a la dirección indicada a continuación. También puede registrarse en línea en:

<https://omcan.com/warranty-registration/>

For mailing in Canada

Pour postale au Canada

Por correo en Canadá

OMCAN

PRODUCT WARRANTY REGISTRATION

3115 Pepper Mill Court,
Mississauga, Ontario
Canada, L5L 4X5

For mailing in the US

Pour diffusion aux États-Unis

Por correo en los EE.UU.

OMCAN

PRODUCT WARRANTY REGISTRATION

4450 Witmer Industrial Estates, Unit 4,
Niagara Falls, New York
USA, 14305

or email to: service@omcan.com



Purchaser's Information

Name: _____

Address: _____

City: _____ Province or State: _____ Postal or Zip: _____

Country: _____

Dealer from which Purchased: _____

Dealer City: _____ Dealer Province or State: _____

Invoice: _____

Model Name: _____ Model Number: _____

Machine Description: _____

Date of Purchase (MM/DD/YYYY): _____

Would you like to extend the warranty? Yes No

Company Name: _____

Telephone: _____

Email Address: _____

Type of Company:

Restaurant Bakery Deli

Butcher Supermarket Caterer

Institution (*specify*): _____

Other (*specify*): _____

Serial Number: _____

Date of Installation (MM/DD/YYYY): _____

Thank you for choosing Omcan | Merci d'avoir choisi Omcan | Gracias por elegir Omcan



Since 1951 Omcan has grown to become a leading distributor of equipment and supplies to the North American food service industry. Our success over these many years can be attributed to our commitment to strengthen and develop new and existing relationships with our valued customers and manufacturers. Today with partners in North America, Europe, Asia and South America, we continually work to improve and grow the company. We strive to offer customers exceptional value through our qualified local sales and service representatives who provide convenient access to over 6,500 globally sourced products.

Depuis 1951 Omcan a grandi pour devenir un des “leaders” de la distribution des équipements et matériel pour l’industrie des services alimentaires en Amérique du Nord. Notre succès au cours de ces nombreuses années peut être attribué à notre engagement à renforcer et à développer de nouvelles et existantes relations avec nos clients et les fabricants de valeur. Aujourd’hui avec des partenaires en Amérique du Nord, Europe, Asie et Amérique du Sud, nous travaillons continuellement à améliorer et développer l’entreprise. Nous nous efforçons d’offrir à nos clients une valeur exceptionnelle grâce à nos ventes locales qualifiées et des représentants de service qui offrent un accès facile à plus de 6500 produits provenant du monde entier.

Desde 1951 Omcan ha crecido hasta convertirse en un líder en la distribución de equipos y suministros de alimentos en América del Norte industria de servicios. Nuestro éxito en estos años se puede atribuir a nuestro compromiso de fortalecer y desarrollar nuevas relaciones existentes con nuestros valiosos clientes y fabricantes. Hoy con socios de América del Norte, Europa, Asia y América del Sur, que trabajan continuamente para mejorar y crecer la empresa. Nos esforzamos por ofrecer a nuestros clientes valor excepcional a través de nuestro local de ventas y representantes de los servicios que proporcionan un fácil acceso a más de 6,500 productos con origen a nivel mundial.

